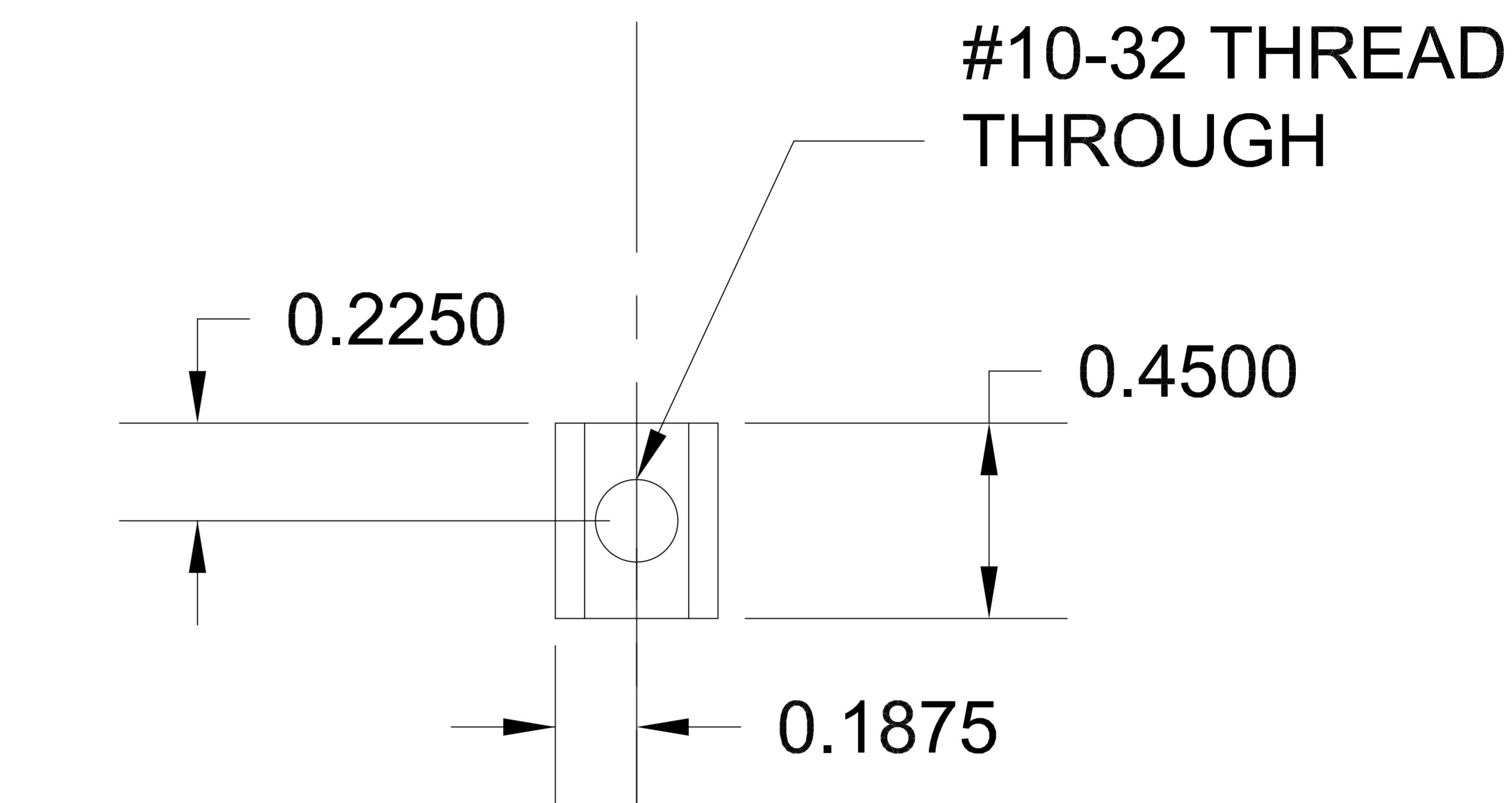
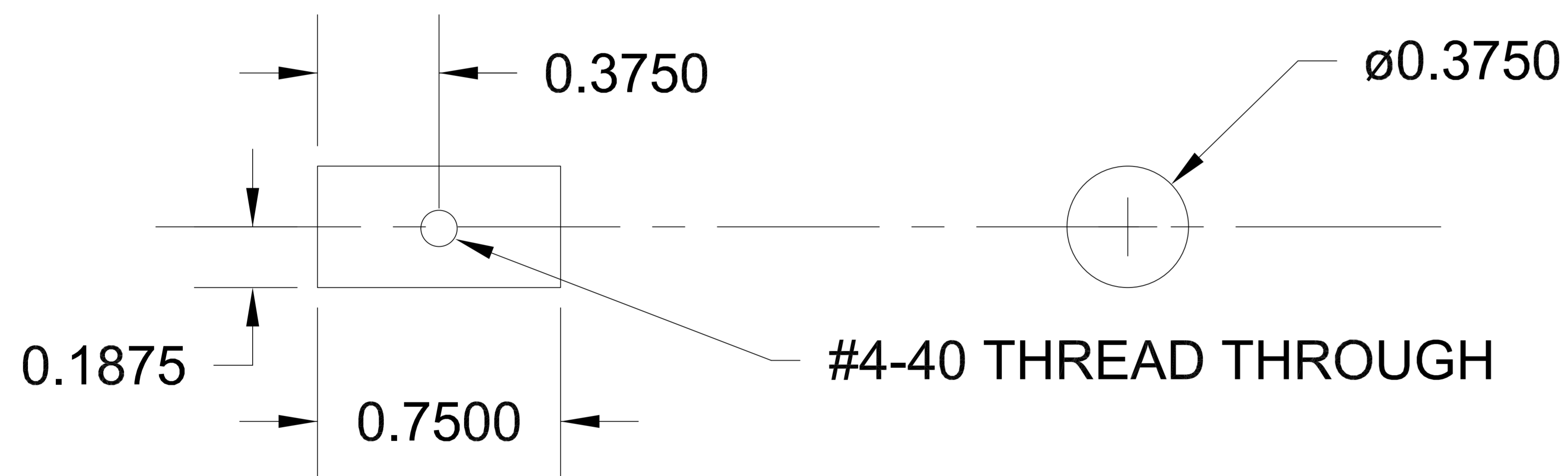


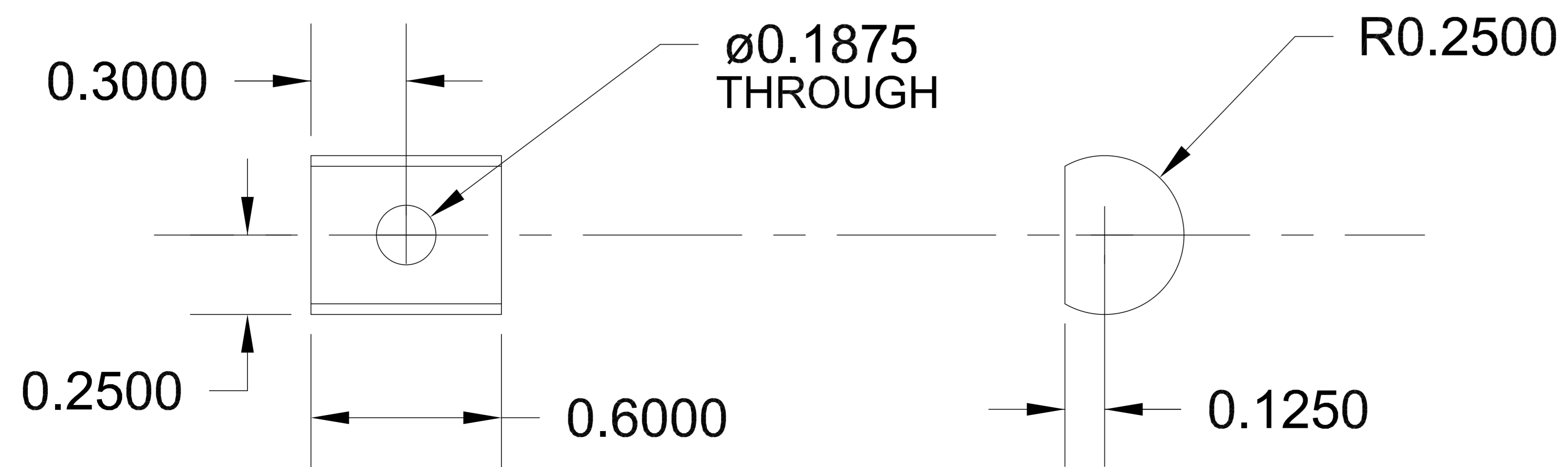
BACK STAND



T-NUT



FRONT STAND



HINGE

UNIT: INCHES
 MATERIALS: 1018 STEEL