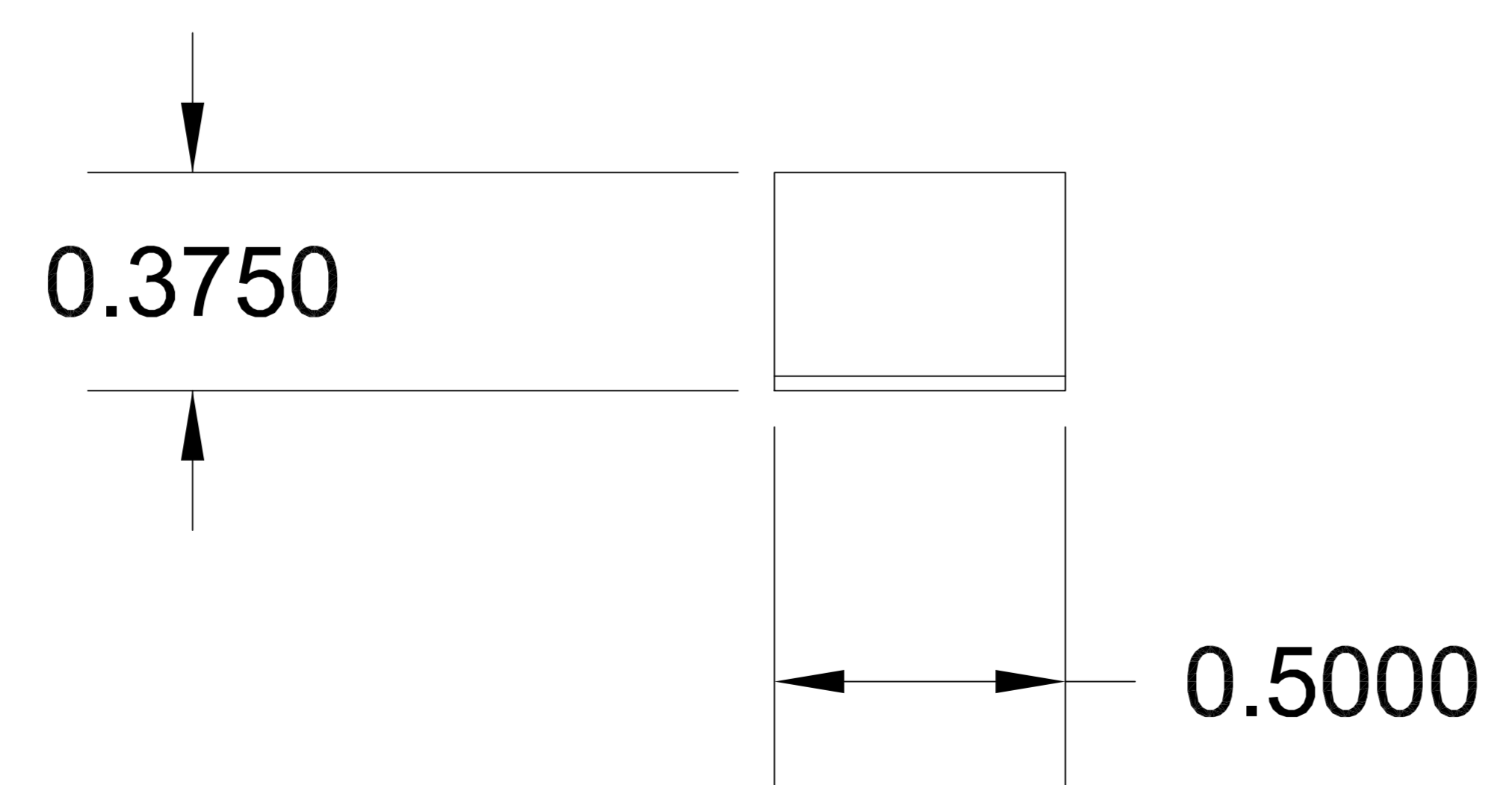
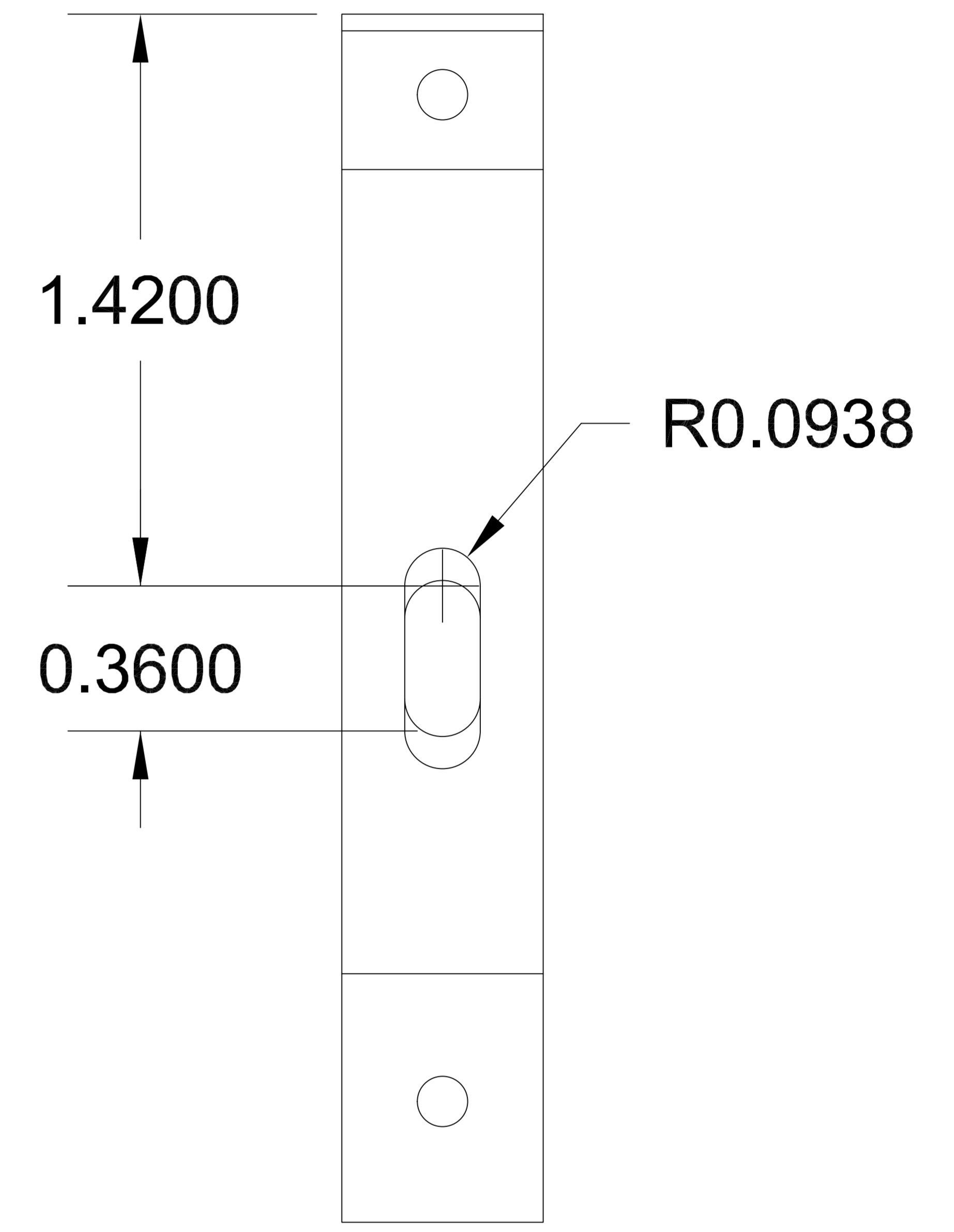
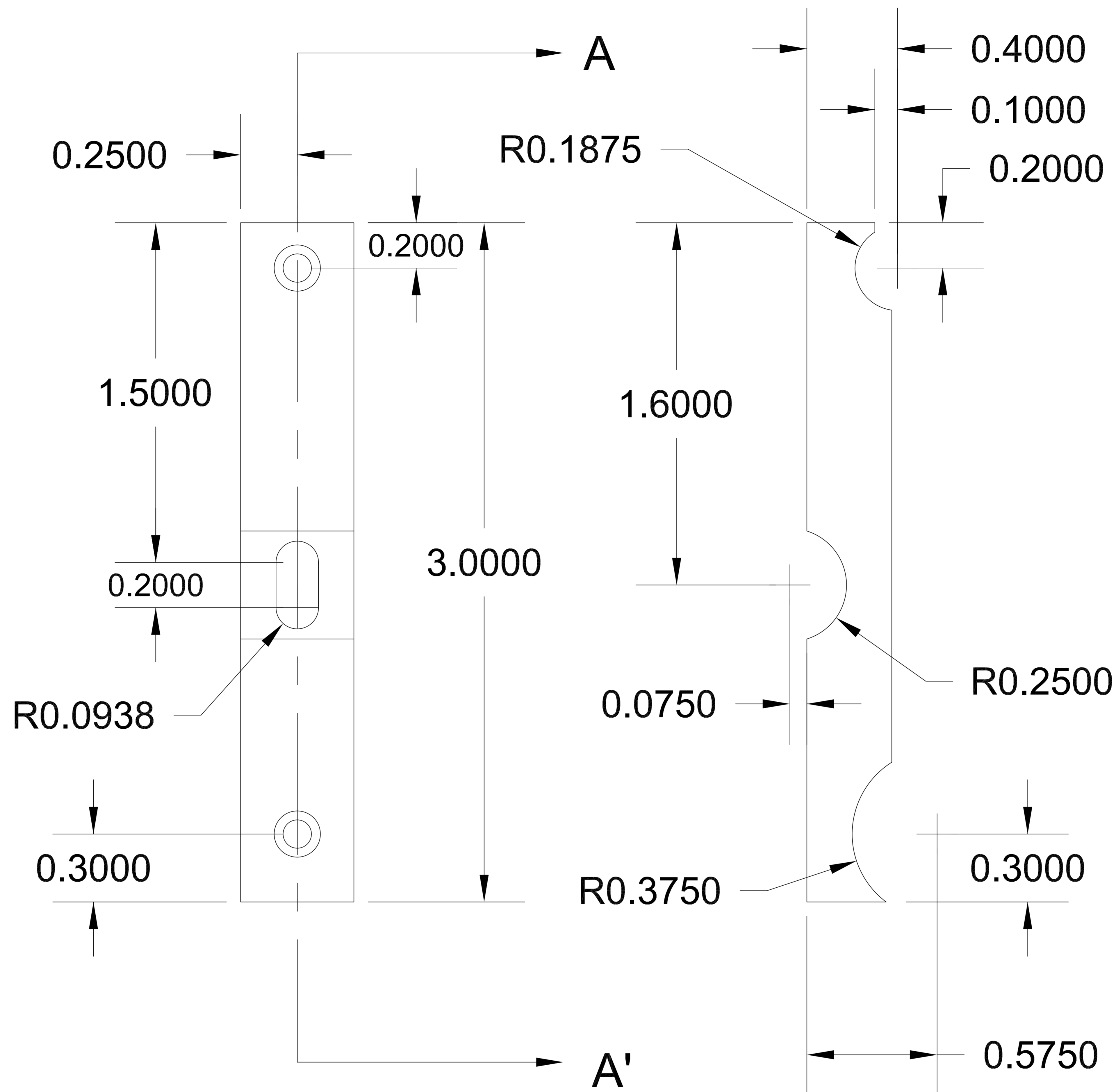


#4 COUNTERBORE (2)

60°

CROSS SECTION A-A'



UNIT: INCHES
MATERIALS: 1018 STEEL